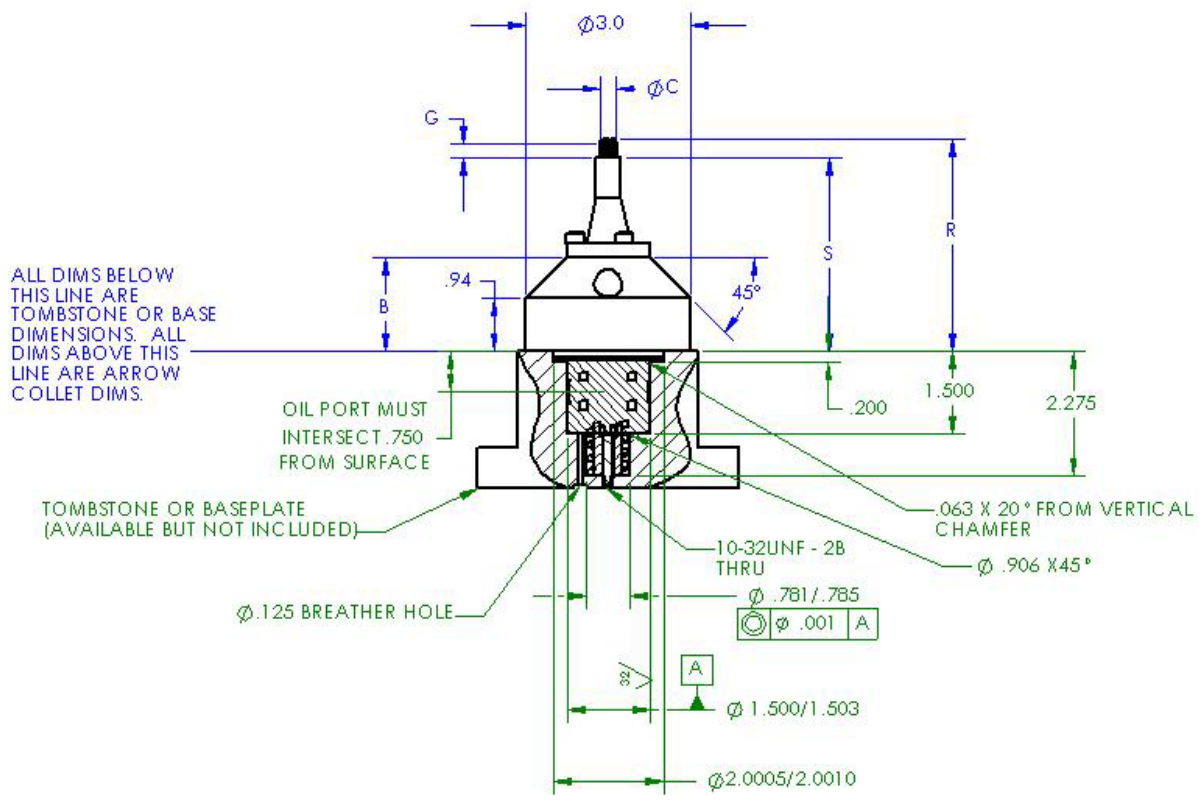
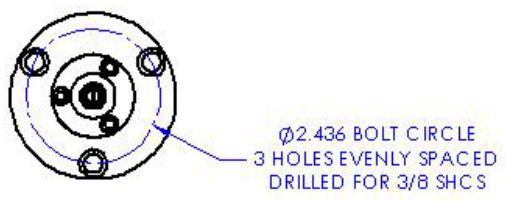




Arrow Engineering offers expanding collets for locating and clamping irregular shaped parts or parts without clamping tabs through existing cylindrical features (holes). Unlike traditional collets these clamps offer extended reach to allow for deeply contoured parts and exceptional tool clearances.

Particular collet profiles and grips must be designed for the material, draft, and overall part design. Please complete the worksheet and fax to Arrow Engineering for more information and/or a quotation.



Base (B)= _____ Support (S)= _____ Reach (R)= _____
Grip (G)= _____ Collet diameter (C)= _____

*R-B must not exceed 2.5", ** B=1.688" or 1.147" are standard base dims

Describe the mating profile for (C) _____